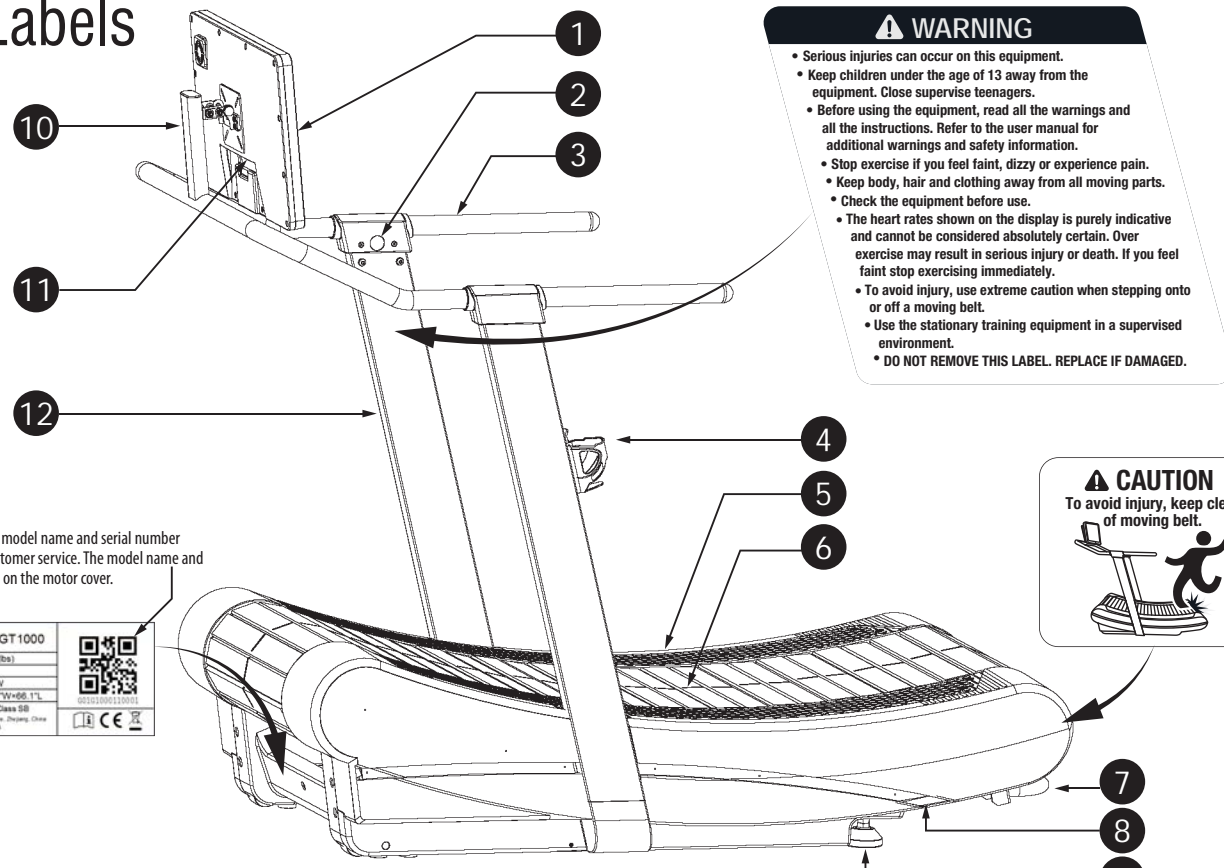


# Parts /Labels

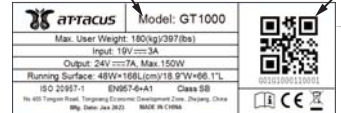


**⚠ WARNING**

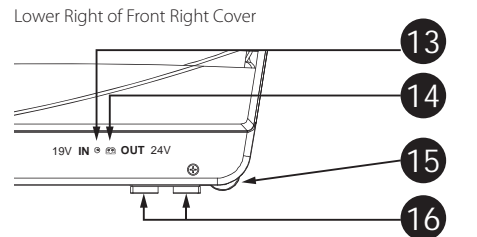
- Serious injuries can occur on this equipment.
- Keep children under the age of 13 away from the equipment. Close supervise teenagers.
- Before using the equipment, read all the warnings and all the instructions. Refer to the user manual for additional warnings and safety information.
- Stop exercise if you feel faint, dizzy or experience pain.
- Keep body, hair and clothing away from all moving parts.
- Check the equipment before use.
- The heart rates shown on the display is purely indicative and cannot be considered absolutely certain. Over exercise may result in serious injury or death. If you feel faint stop exercising immediately.
- To avoid injury, use extreme caution when stepping onto or off a moving belt.
- Use the stationary training equipment in a supervised environment.
- **DO NOT REMOVE THIS LABEL. REPLACE IF DAMAGED.**

**⚠ CAUTION**  
To avoid injury, keep clear of moving belt.

\* Please be sure to have your model name and serial number ready before calling the customer service. The model name and serial number can be found on the motor cover.

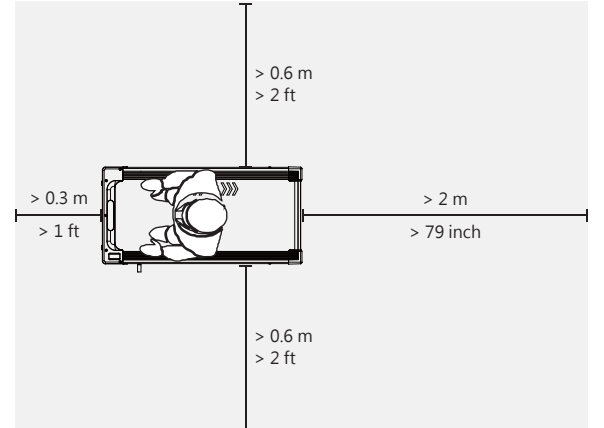


- 1 TFT Touchscreen Console  
(For first-time use, please scan the QR code with your mobile device to register [GPTfit.com](http://GPTfit.com))
- 2 Electronic Brake Button
- 3 Handrails (L/R)
- 4 Bottle Holder  
(Bottle diameter range Ø 65~Ø 80 mm)
- 5 Footrests (L/R)
- 6 Slat Belt
- 7 Transportation Handle
- 8 LED Lights (L/R)
- 9 Foot Pads (L/R)
- 10 Console holder
- 11 RJ45 Connect Port  
(Where the console plugged in.)
- 12 Uprights (L/R)
- 13 Power Input Port (IN 19V)
- 14 Power Output Port (OUT 24V)
- 15 Transportation Wheels (L/R)
- 16 Anti-Slip Pads (L/R)



# Placement of the Equipment

Please place the equipment on a level ground and avoid direct sunlight. Do not place it outdoor, in the garage, open yard, humid, and/or ventilated places. For safety purpose, please leave a clear zone behind the treadmill at least 79" long and leave the both sides of the treadmill at least 2 ft widths and leave a clear zone front of the treadmill at least one ft long.



# Limited Product Warranty

You are given only one original copy of this warranty card please preserved it properly.

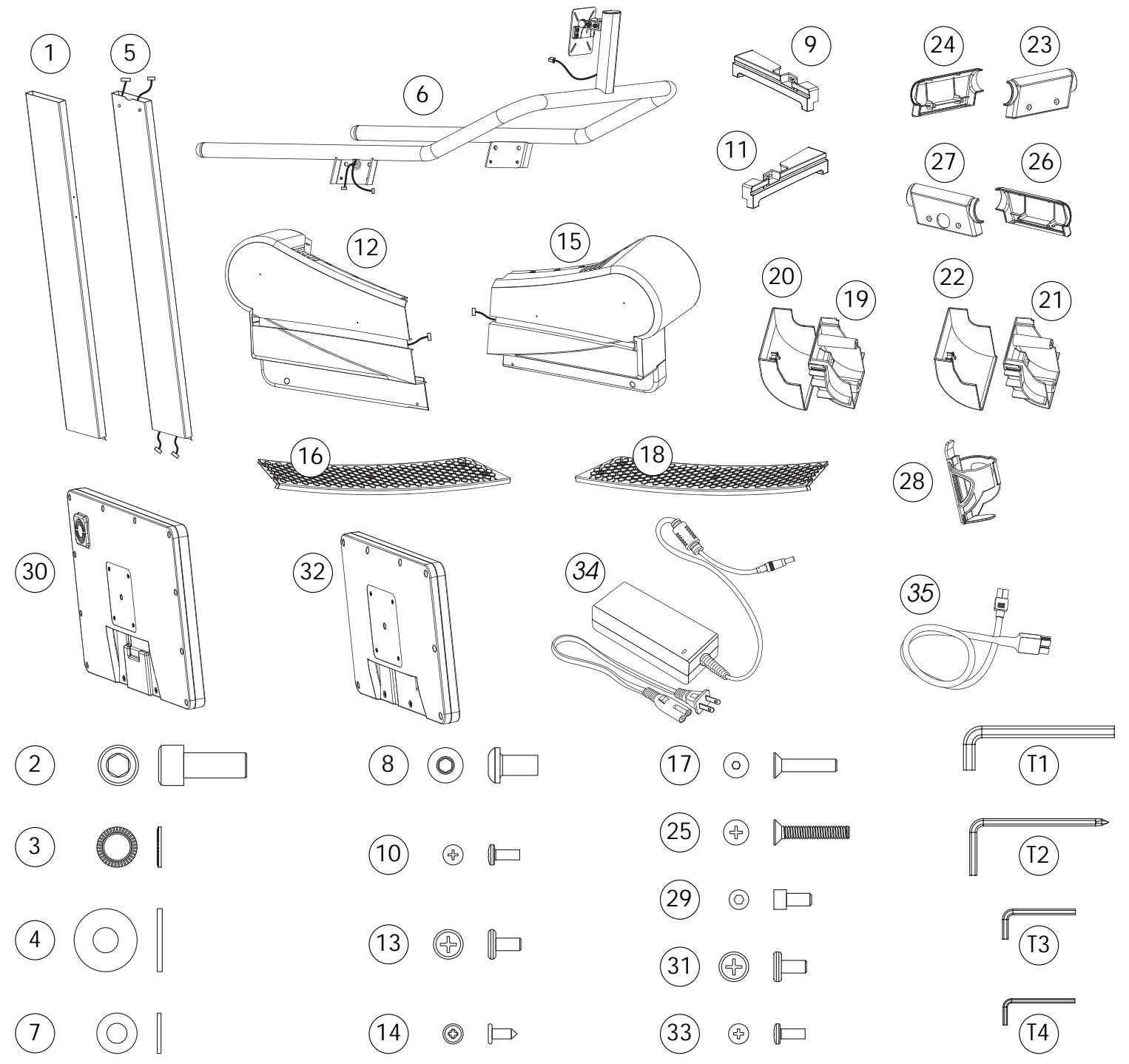
- If this product fails due to manufacturing reasons, we provide a 1-year manufacturer's warranty from the date of purchase/assembly. (Except for non-home users)
- Please show this warranty card when requiring repair service.
- If the warranty card is not stamped with the company seal (or dealer) or the contract is incomplete, it may lose the warranty rights, the following conditions are not within this limit:
  - Submit original invoice or proof of purchase.
  - Distribution document that can provide relevant proof of purchase.
- Non-Warranty Repair Policy: (User needs to pay for the repairs.)
  - If malfunction or damage is caused by improper use, disassembly and modification.
  - Due to normal wear and tear of consumptive parts such as the TFT Touchscreen Console, Slat Belt, Footrests, Transportation Wheels, etc.

Model \_\_\_\_\_ Assembled on \_\_\_\_\_  
 Serial No.\* \_\_\_\_\_  
**SN:**

Dealer's Stamp	Customer Service
	Manufacturer Add: No.405 Tongxin Road, Tongxiang Economic Development Zone, Zhejiang, China TEL: +86-573-8862 8666

# Part List

**⚠** When unpacked, please place all the components in a clear area to enhance the assembling process.  
 • Some parts are pre-lubricated to help with the assembly. Do not wipe off the grease.  
 • If you have any question or the equipment has any missing parts, please contact your distributor or dial in the customer service number on the maintenance card.



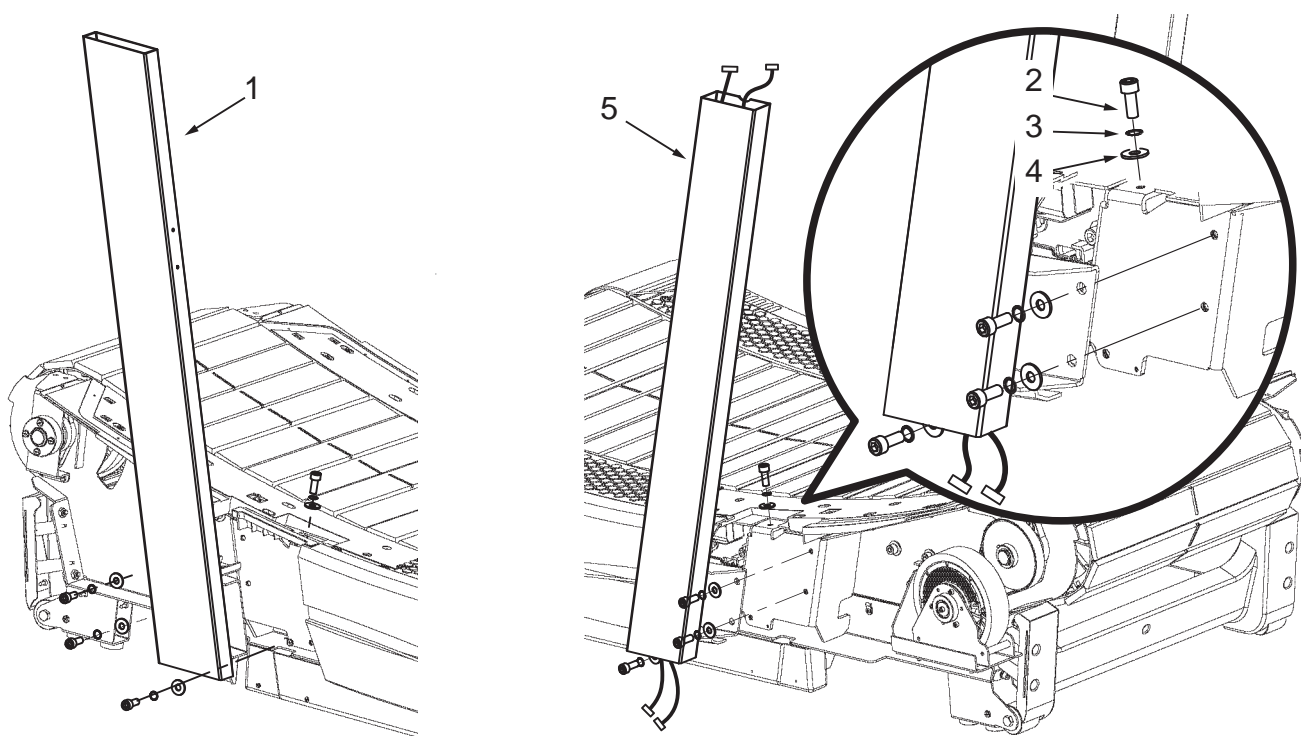
ASSEMBLY PARTS			SCREWS			TOOLS		
Ref. NO.	Specification	Qty	Ref. NO.	Specification	Qty	Ref. NO.	Specification	Qty
6	Handrail and Console Holder	1	2	Hex Socket Set Screw M10x1.5x25L	8	T1	8mm Hex Key (Allen Key)	1
1	Left Upright	1	3	Serrated Safety Washer M10	8	T2	5mm Phillips Hex Key (Phillips Allen Key)	1
5	Right Upright	1	4	Flat Washer Ø10xØ25x2T	8	T3	4mm Hex Key (Allen Key)	1
12	Front Left Cover	1	7	Flat Washer Ø8xØ16x1.5T	4	T4	3mm Hex Key (Allen Key)	1
15	Front Left Cover	1	8	Button Head Hex Socket Screw M8x1.25x15L	4			
30	21.5" TFT Console	1	10	Round Head Phillips Screws M4x0.7x10L	2			
32	15.6" TFT Console (Alternative)	1	13	Large Phillips Flat Head Screws M5x0.8x10L	6			
24	Left Handrail Cover A	1	14	Truss Self Tapping Screw M4x10L	12			
23	Left Handrail Cover B	1	17	Flat head Self Tapping Screw M5x0.8x25L	10			
26	Right Handrail Cover A	1	25	Flat Head Phillips Self Tapping Screw M5x0.8x30L	4			
27	Right Handrail Cover B	1	29	Hex Socket Set Screw M5x12L	2			
16	Front Left Footrest B	1	31	Large Phillips Fat Head Screws M5x0.8x10L	4			
18	Front Right Footrest B	1	33	Round Head Phillips Screws M4x0.7x10L (15.6" TFT only)	4			
9	Mid-Left Cover	1						
11	Mid-Right Cover	1						
19	Inner Left Upright Cover	1						
20	Outer Left Upright Cover	1						
21	Inner Right Upright Inner Cover	1						
22	Outer Right Upright Cover	1						
28	Bottle Holder	1						
34	Charging Cable	1						
35	Power Output Cable	1						

# Assembly

- The treadmill is heavy, **DO NOT** attempt to move or assemble alone with single hand.
- Please unpack and assemble the product at the designated location to reduce unnecessary moving.
- Please follow the proper instructions. When performing each step, please be sure all the screws and bolts are in place and partially tighten. Please tighten all the screws and bolts once all are in place.

2026-01\_V4.2

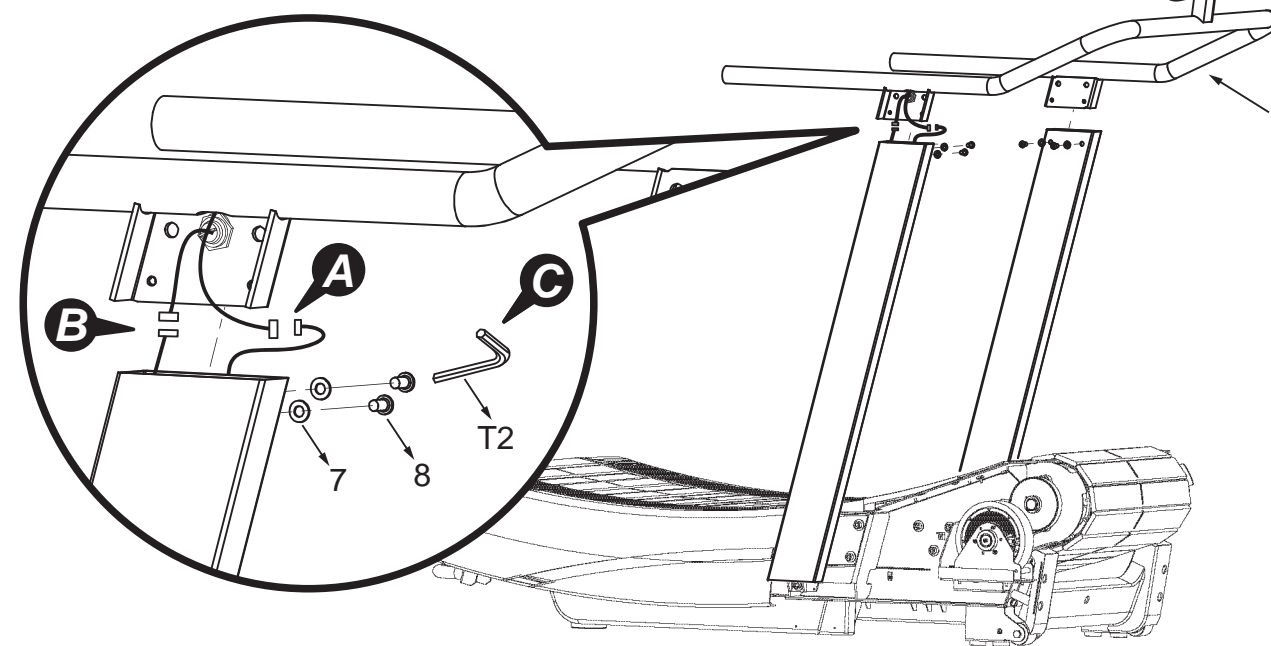
## Step 1 Assembling Left and Right Uprights



ASSEMBLY PARTS			SCREWS			TOOLS		
Ref. NO.	Specification	Qty	Ref. NO.	Specification	Qty	Ref. NO.	Specification	Qty
1	Left Upright	1	2	Hex Socket Set Screw M10x1.5x25L	8	T1	8mm Hex Key (Allen Key)	1
5	Right Upright	1	3	Serrated Safety Washer M10	8			
			4	Flat Washer Ø10xØ25x2T	8			

## Step 3 Assembling the Handrail

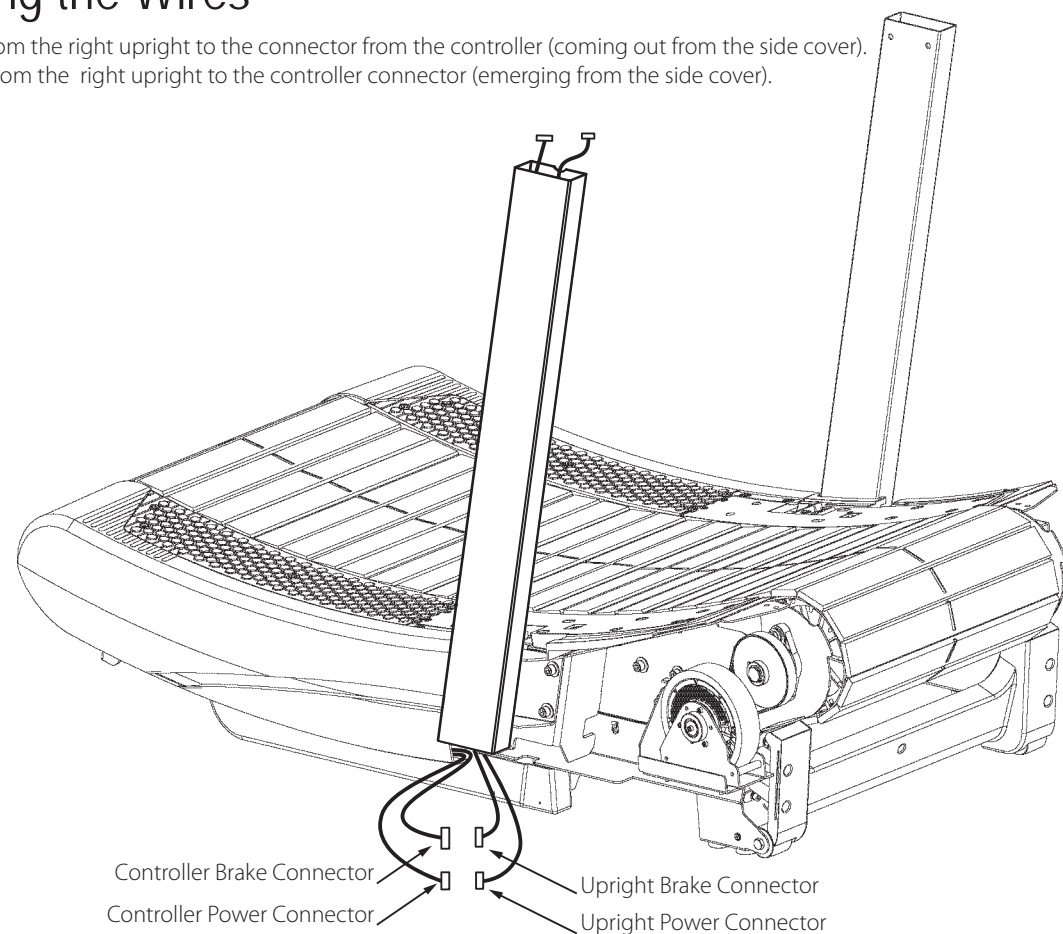
- A) Under the right handrail, connect the power connector from the handrail to the corresponding connector that emerges from the upright.
- B) Under the right handrail, connect the brake connector from the handrail to the corresponding connector that emerges from the upright.
- C) Align and install both sides of the handrail on the left and right uprights and fasten according to the following images.



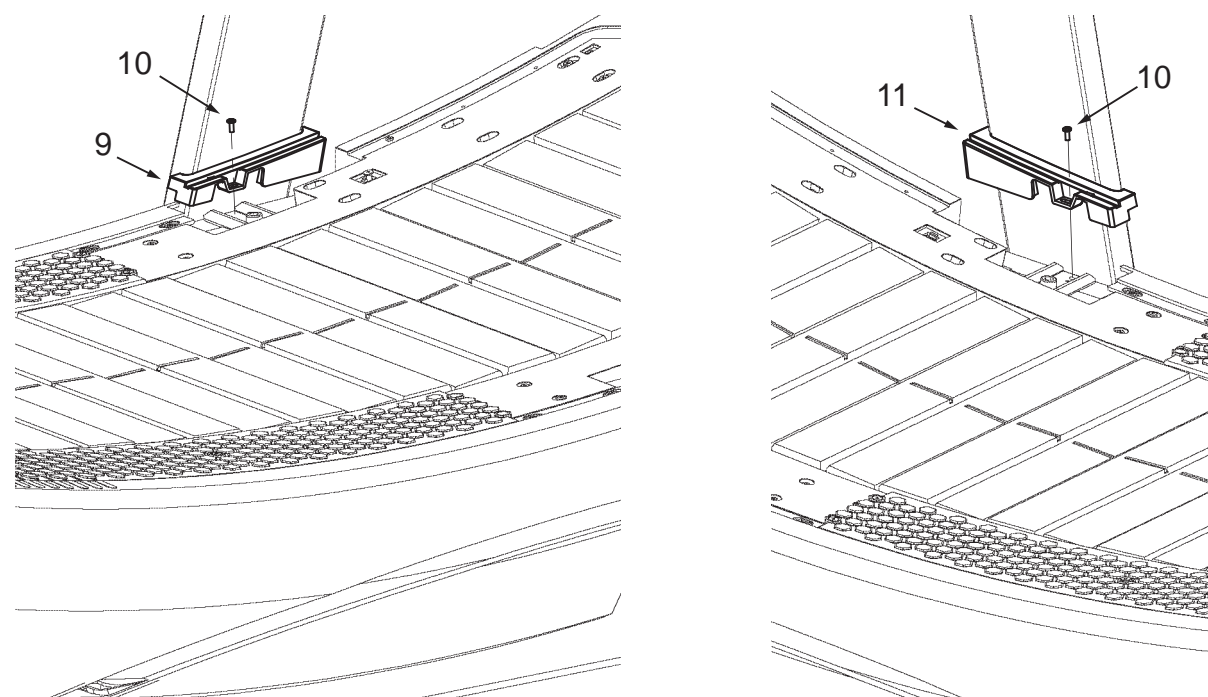
ASSEMBLY PARTS			SCREWS			TOOLS		
Ref. NO.	Specification	Qty	Ref. NO.	Specification	Qty	Ref. NO.	Specification	Qty
6	Handrail and Console Holder	1	7	Flat Washer Ø8xØ16x1.5T	4	T2	5mm Phillips Hex Key (Phillips Allen Key)	1
			8	Button Head Hex Socket Screw M8x1.25x15L	4			

## Step 2 Connecting the Wires

- A) Connect the brake connector from the right upright to the connector from the controller (coming out from the side cover).
- B) Connect the power connector from the right upright to the controller connector (emerging from the side cover).



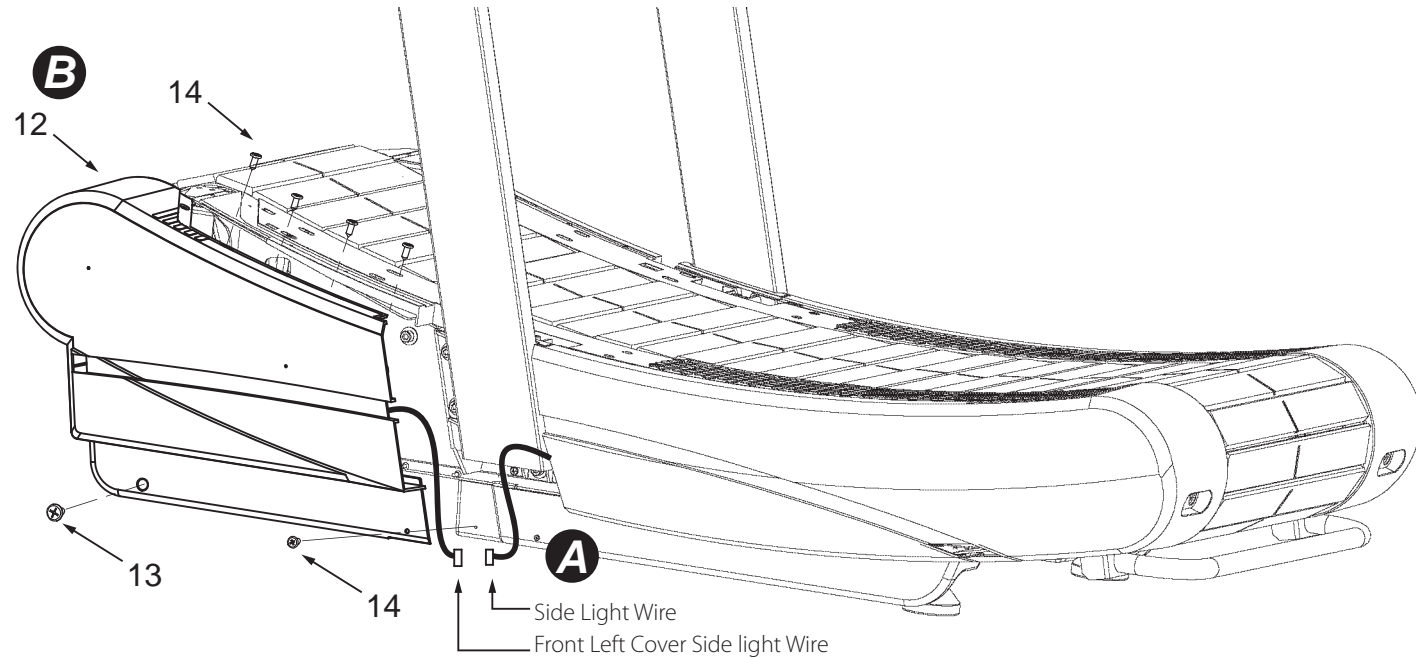
## Step 4 Fasten Mid-Left and Right Covers



ASSEMBLY PARTS			SCREWS			TOOLS		
Ref. NO.	Specification	Qty	Ref. NO.	Specification	Qty	Ref. NO.	Specification	Qty
9	Mid-Left Cover	1	10	Round Head Phillips Screws M4x0.7x10L	2	T2	5mm Phillips Hex Key (Phillips Allen Key)	1
11	Mid-Right Cover	1						

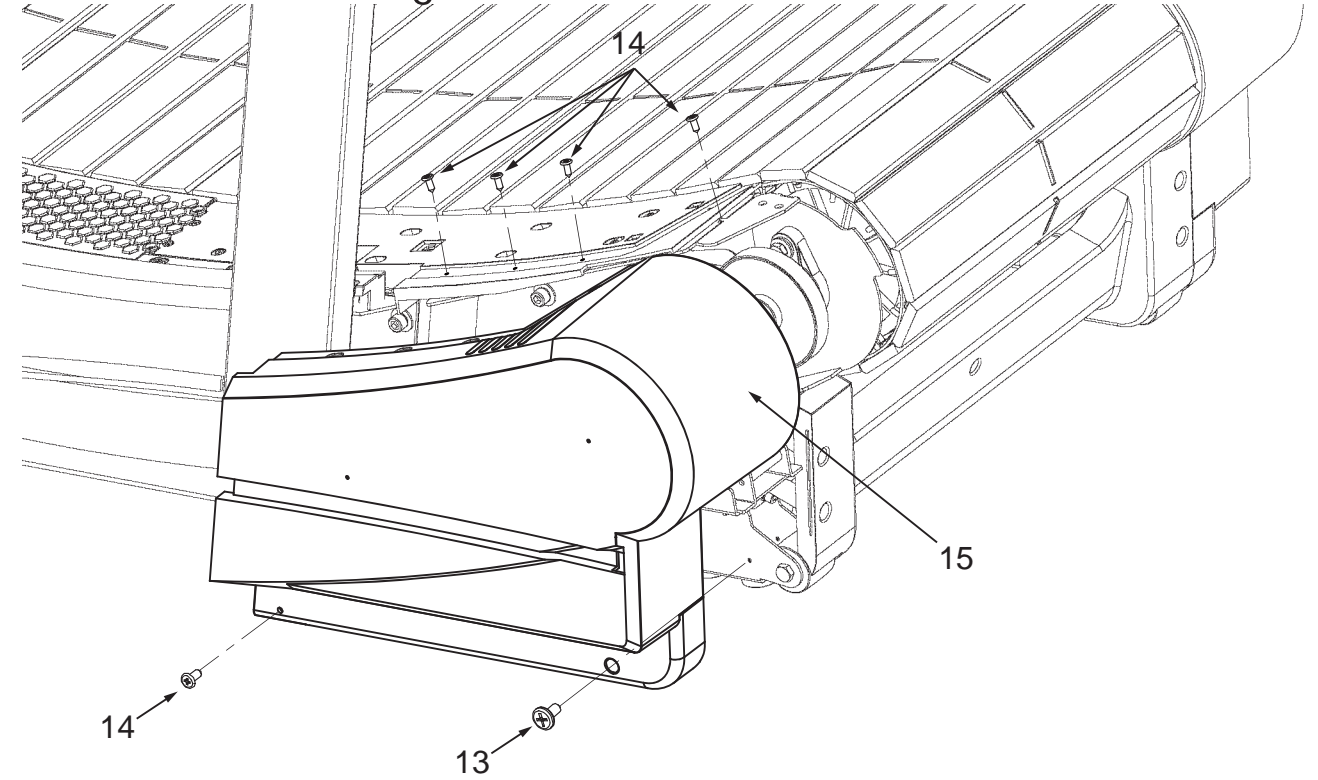
## Step 5 Installing the Front Left Cover

- A) Connect the wire from the front left cover with that of the light.
- B) Fasten the front left cover on.



ASSEMBLY PARTS			SCREWS			TOOLS		
Ref. NO.	Specification	Qty	Ref. NO.	Specification	Qty	Ref. NO.	Specification	Qty
12	FrontLeft Cover	1	13	Large Phillips Flat Head Screws M5x0.8x10L	1	T2	5mm Phillips Hex Key (Phillips Allen Key)	1
			14	Truss Self Tapping Screw M4x10L	5			

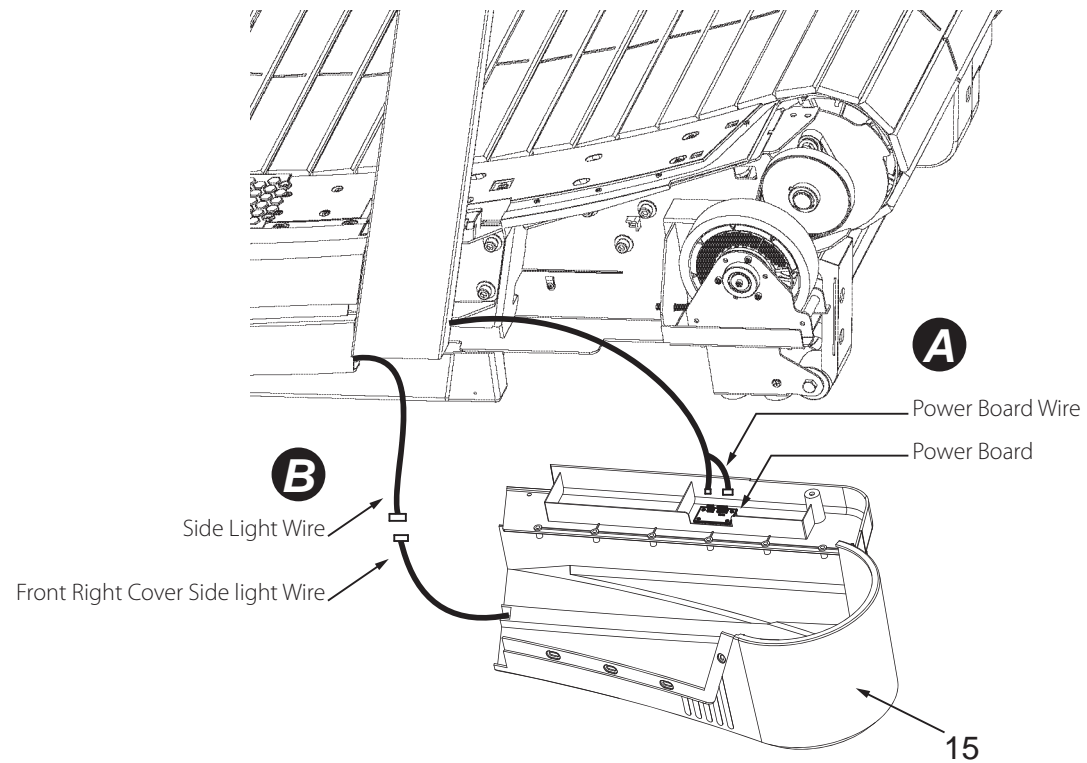
## Step 7 Fasten the Front Right Cover



ASSEMBLY PARTS			SCREWS			TOOLS		
Ref. NO.	Specification	Qty	Ref. NO.	Specification	Qty	Ref. NO.	Specification	Qty
15	Front Right Cover	1	13	Large Phillips Flat Head Screws M5x0.8x10L	1	T2	5mm Phillips Hex Key (Phillips Allen Key)	1
			14	Truss Self Tapping Screw M4x10L	5			

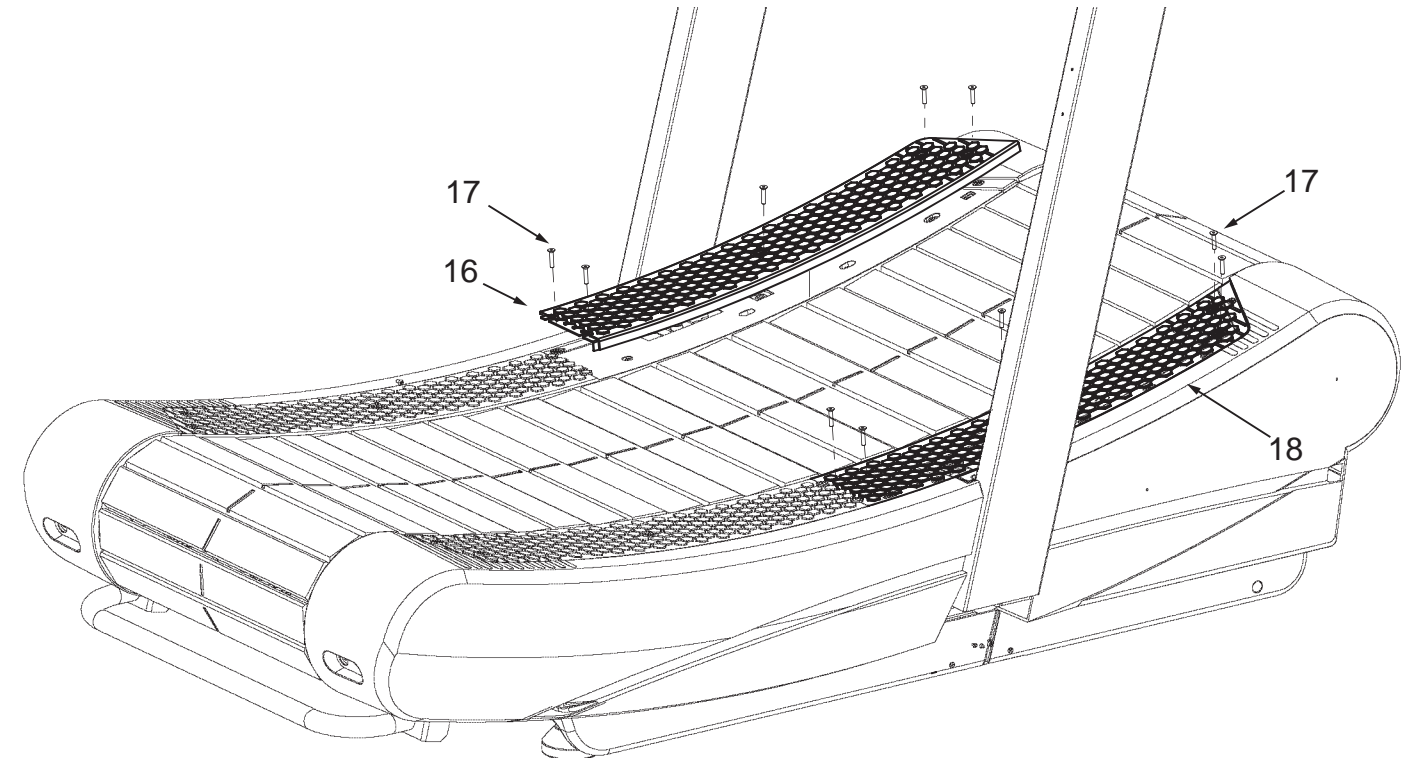
## Step 6 Installing the Front Right Cover

- A) Connect the power board wire to the power board located in the front right cover.
- B) Connecting the light connector in the front right cover with the side light connector.



ASSEMBLY PARTS			SCREWS			TOOLS		
Ref. NO.	Specification	Qty	Ref. NO.	Specification	Qty	Ref. NO.	Specification	Qty
15	Front Right Cover	1	-	-	-	-	-	-

## Step 8 Fasten the Front Left and Right Footrests

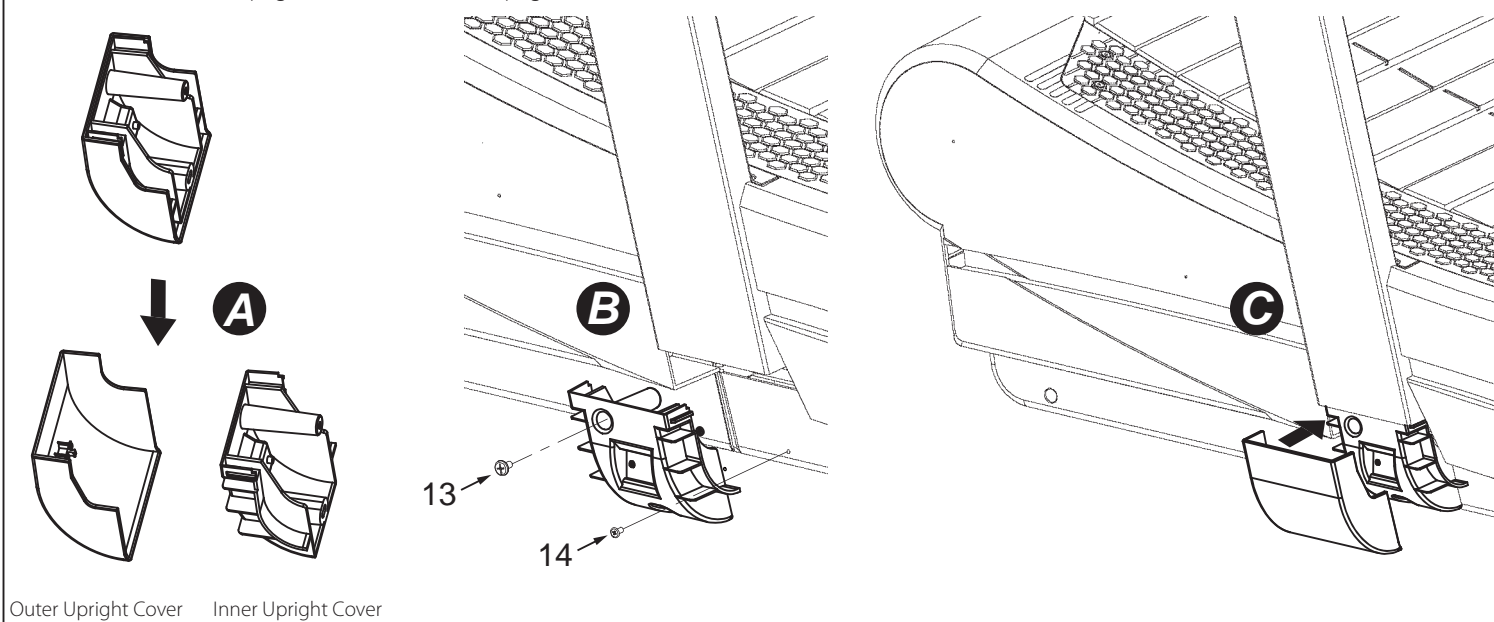


ASSEMBLY PARTS			SCREWS			TOOLS		
Ref. NO.	Specification	Qty	Ref. NO.	Specification	Qty	Ref. NO.	Specification	Qty
16	Front Left Footrest B	1	17	Flat head Self Tapping Screw M5x0.8x25L	10	T4	3mm Hex Key (Allen Key)	1
18	Front Right Footrest B	1						

## Step 9 Install the Inner and Outer Upright Covers

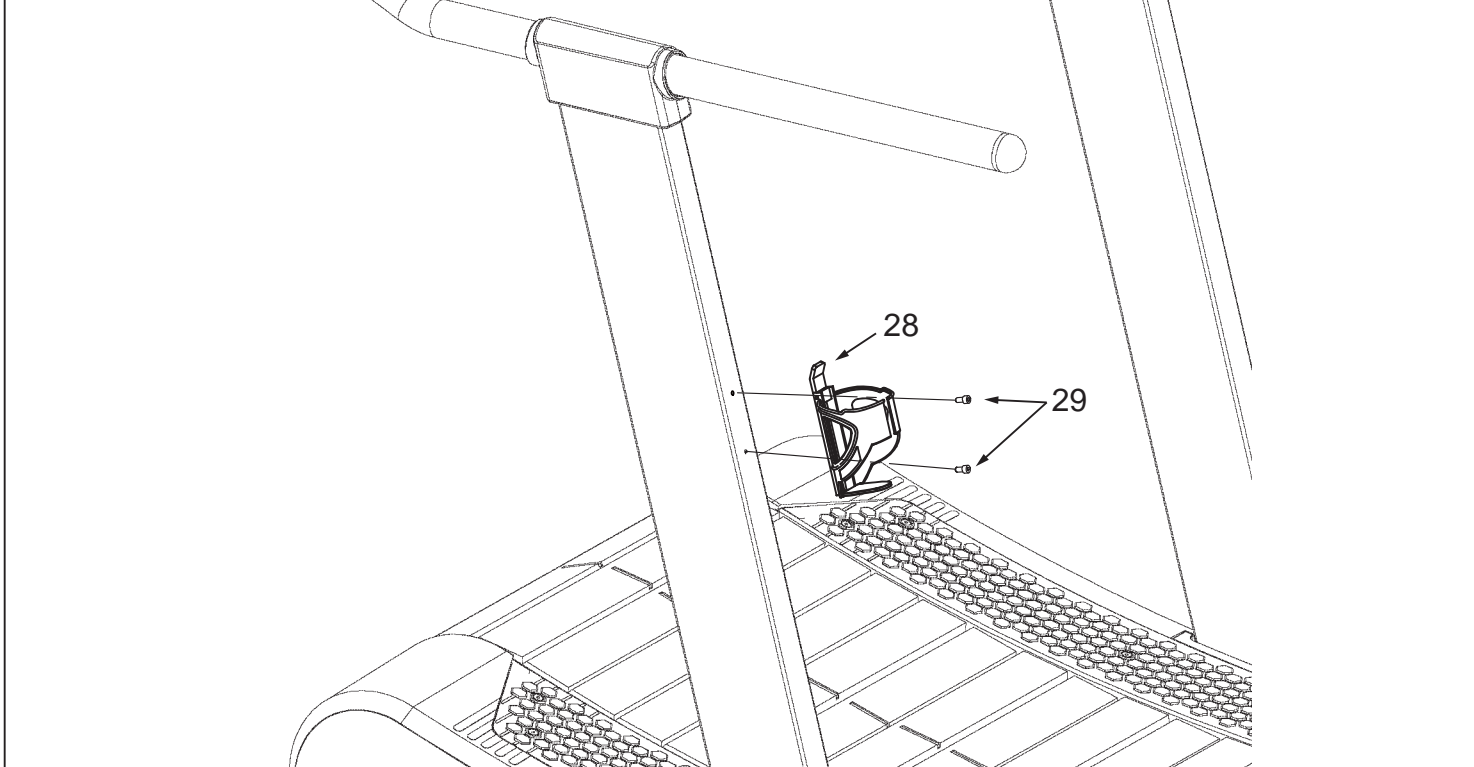
Please follow the steps below to install the inner and outer upright covers.

- Separate the inner and outer upright covers, which were put together for transportation purposes.
- Screw the inner upright cover on the treadmill's main frame.
- Latch on the outer upright cover to the inner upright cover.



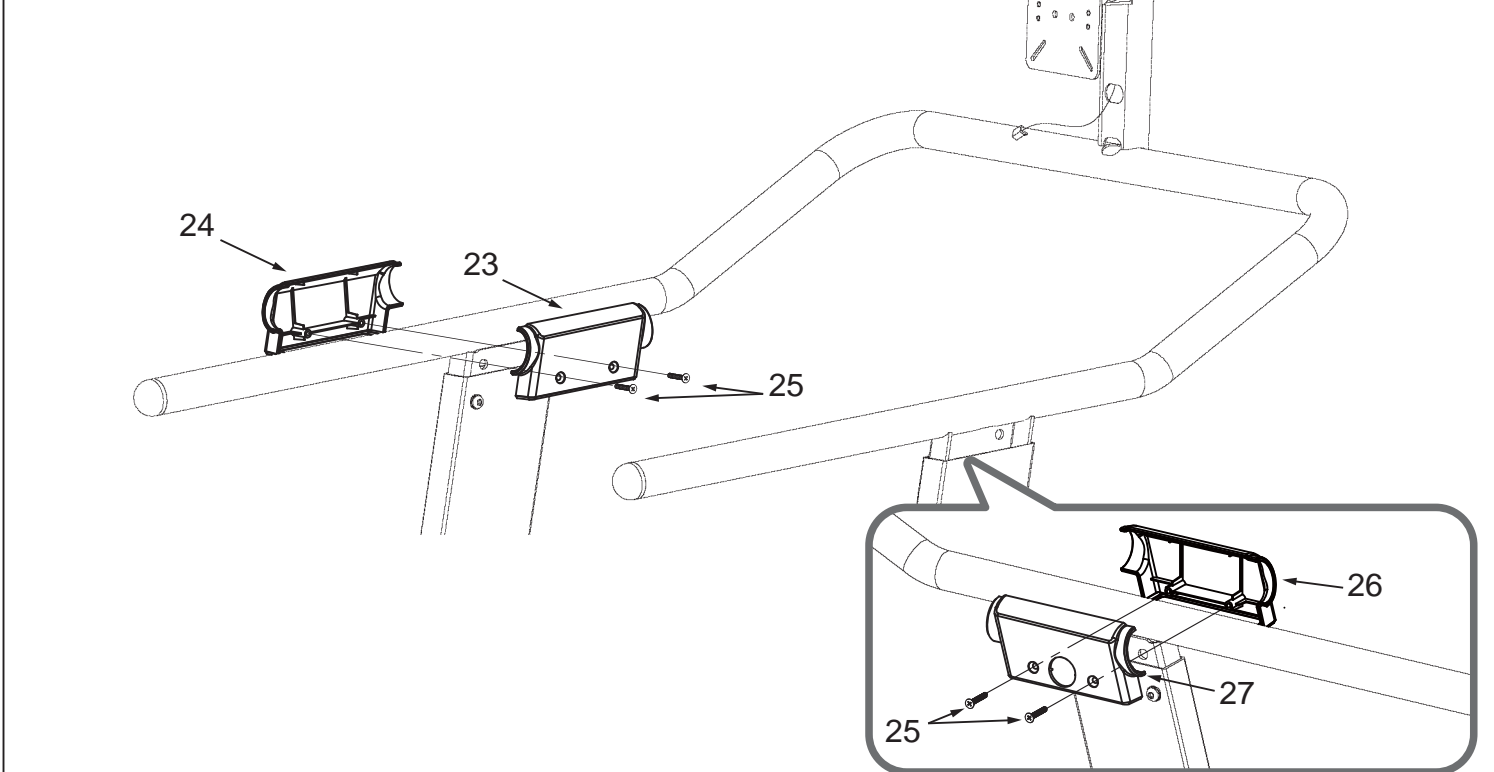
ASSEMBLY PARTS			SCREWS			TOOLS		
Ref. NO.	Specification	Qty	Ref. NO.	Specification	Qty	Ref. NO.	Specification	Qty
19	Inner Left Upright Cover	1	13	Large Phillips Flat Head Screws M5x0.8x10L	2	T2	5mm Phillips Hex Key (Phillips Allen Key)	1
20	Outer Left Upright Cover	1	14	Truss Self Tapping Screw M4x10L	2			
21	Inner Right Upright Cover	1						
22	Outer Right Upright Cover	1						

## Step 11 Install the Bottle Holder



ASSEMBLY PARTS			SCREWS			TOOLS		
Ref. NO.	Specification	Qty	Ref. NO.	Specification	Qty	Ref. NO.	Specification	Qty
28	Bottle Holder	1	29	Hex Socket Set Screw M5x12L	2	T3	4mm Hex Key (Allen Key)	1

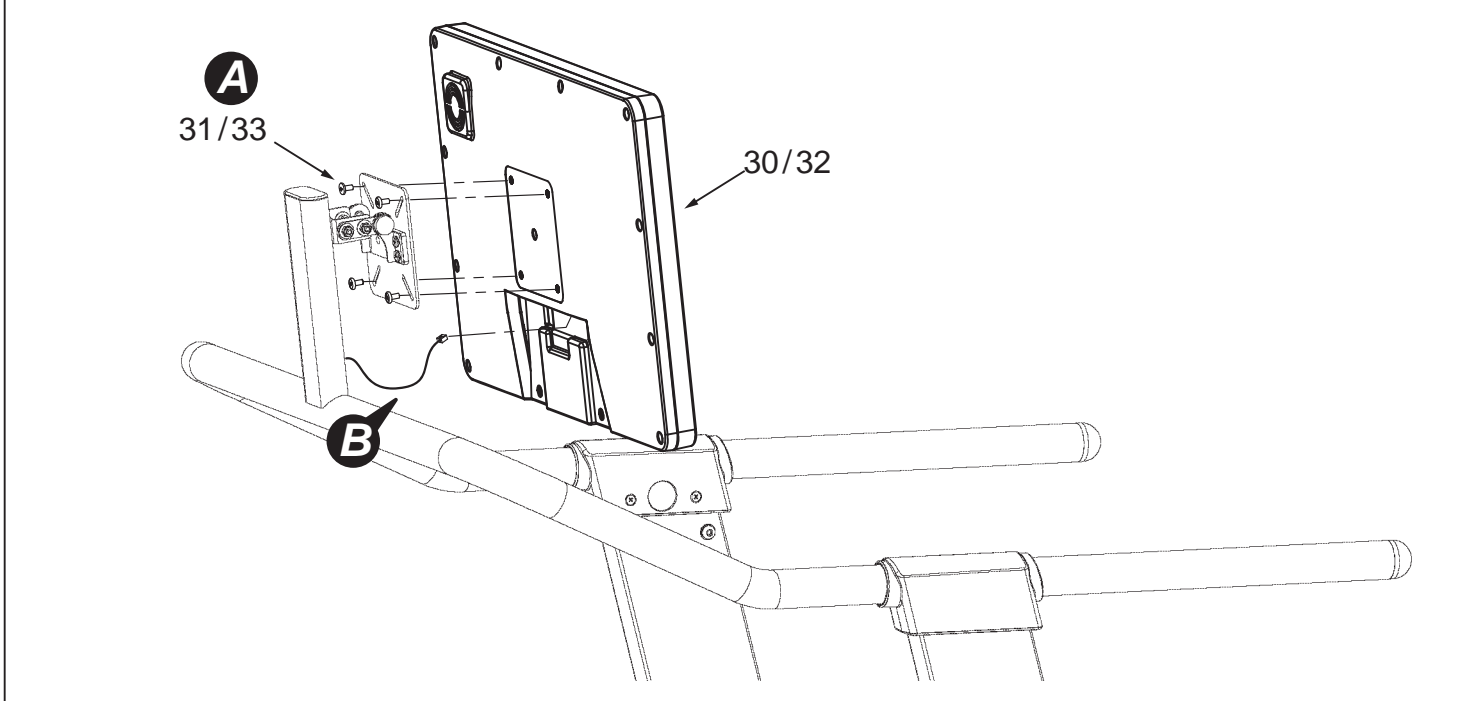
## Step 10 Fasten Left and Right Handrail Covers



ASSEMBLY PARTS			SCREWS			TOOLS		
Ref. NO.	Specification	Qty	Ref. NO.	Specification	Qty	Ref. NO.	Specification	Qty
24	Left Handrail Cover A	1	25	Flat Head Phillips Self Tapping Screw M5x0.8x30L	4	T2	5mm Phillips Hex Key (Phillips Allen Key)	1
23	Left Handrail Cover B	1						
26	Right Handrail Cover A	1						
27	Right Handrail Cover B	1						

## Step 12 Install the Console

- Screw the screen with the console holder on the handrail.
- Connect the RJ45 wire from the handrail to that of the port on the back of the console.



ASSEMBLY PARTS			SCREWS			TOOLS		
Ref. NO.	Specification	Qty	Ref. NO.	Specification	Qty	Ref. NO.	Specification	Qty
30	21.5" TFT Console or	1	31	Large Phillips Fat Head Screws M5x0.8x10L	4	T2	5mm Phillips Hex Key (Phillips Allen Key)	1
32	15.6" TFT Console (Alternative)	1	33	Round Head Phillips Screws M4x0.7x10L (15.6" TFT only)	4			

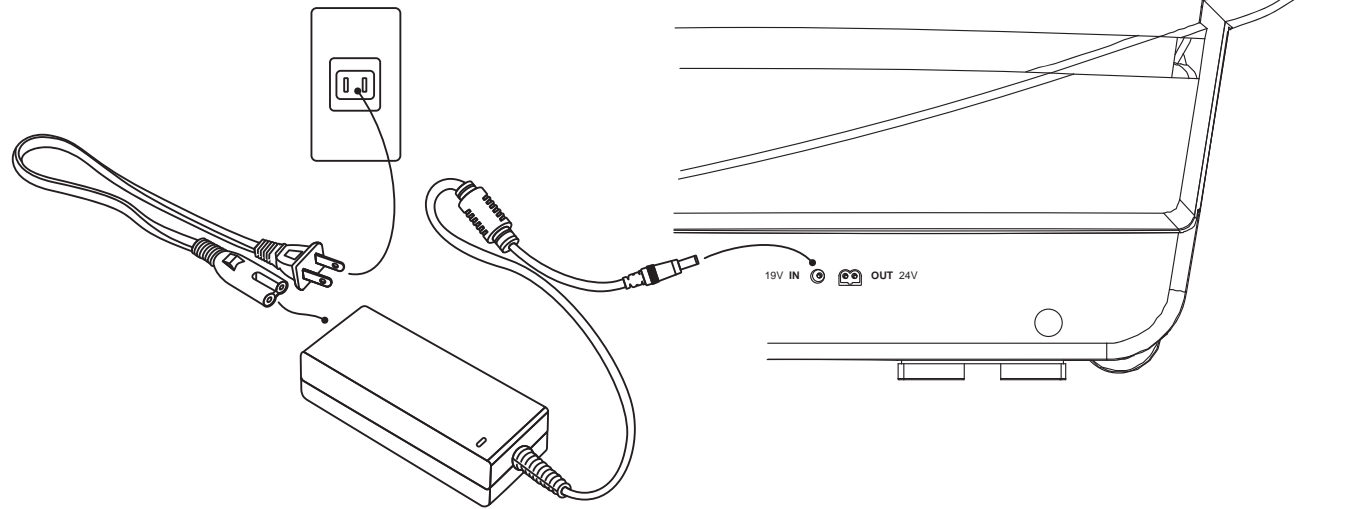
# Charging

- When using the device for the first time or when the battery level is below 20%, it is recommended to connect the power cable and charge for about 3 hours.
- When using the power cable, once the battery level reaches 80%, please unplug it immediately to avoid the battery remaining in a high-voltage overcharge state.
- When the battery is depleted and without using the power cable, operating at a speed of 6 km/h (10-minute pace) for 30 minutes can generate enough energy to charge the battery by approximately 5%.
- The image below for reference only, please refer to the actual product.

Insert the Figure-8 jack at the other end of the plug into the adapter first. Then, insert the round jack of the power cord into the input port marked 'IN' (for input) on the right front side cover. Finally, connect the plug to the corresponding socket.

## Battery Performance

Battery level 100%	When completely unused, the maximum standby time is 100 days.
Battery level 80%	Maximum usable time is 2.5 hours.
Battery level < 20%	A <b>"Battery below 20%"</b> warning will appear at the top of the screen, indicating insufficient battery power. Please immediately connect the power cable, or increase speed to above 9km/h and set the output power to 50 W or higher to increase energy generation.
Battery level < 5%	The screen cannot be powered on. Please immediately connect the power cable.

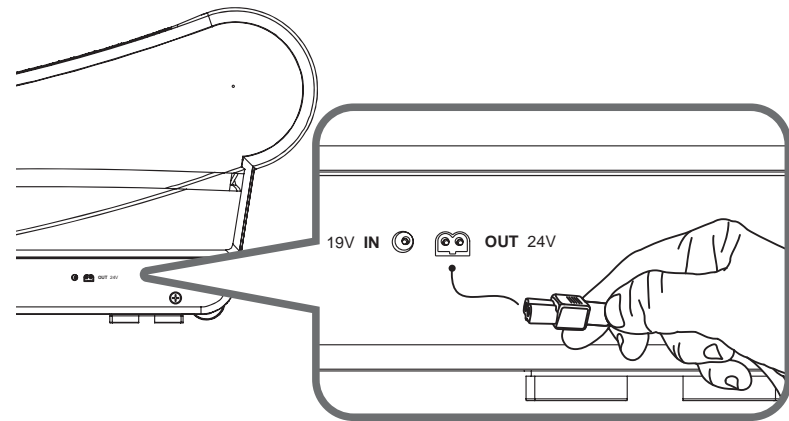


# Power Generation

- When the speed is higher than 6 km/h (10-minute pace) and the power output is set to 50 W or above, the device can achieve the motion-based power generation effect.
- If the generated power output is about 30 W, it will be prioritized to supply power to the screen and the LED indicator lights.

This treadmill can transfer running power into electric power. The maximum power generated is 150 watt/ h. While providing power to the console, the treadmill could also charge a Jackery power bank. The following steps will demonstrate how to charge the power bank.

1. Plug the figure-8 connector of the Power Output Cable on the Output side.
2. Plug the other side with the Anderson plug of the charger on the power bank for power.

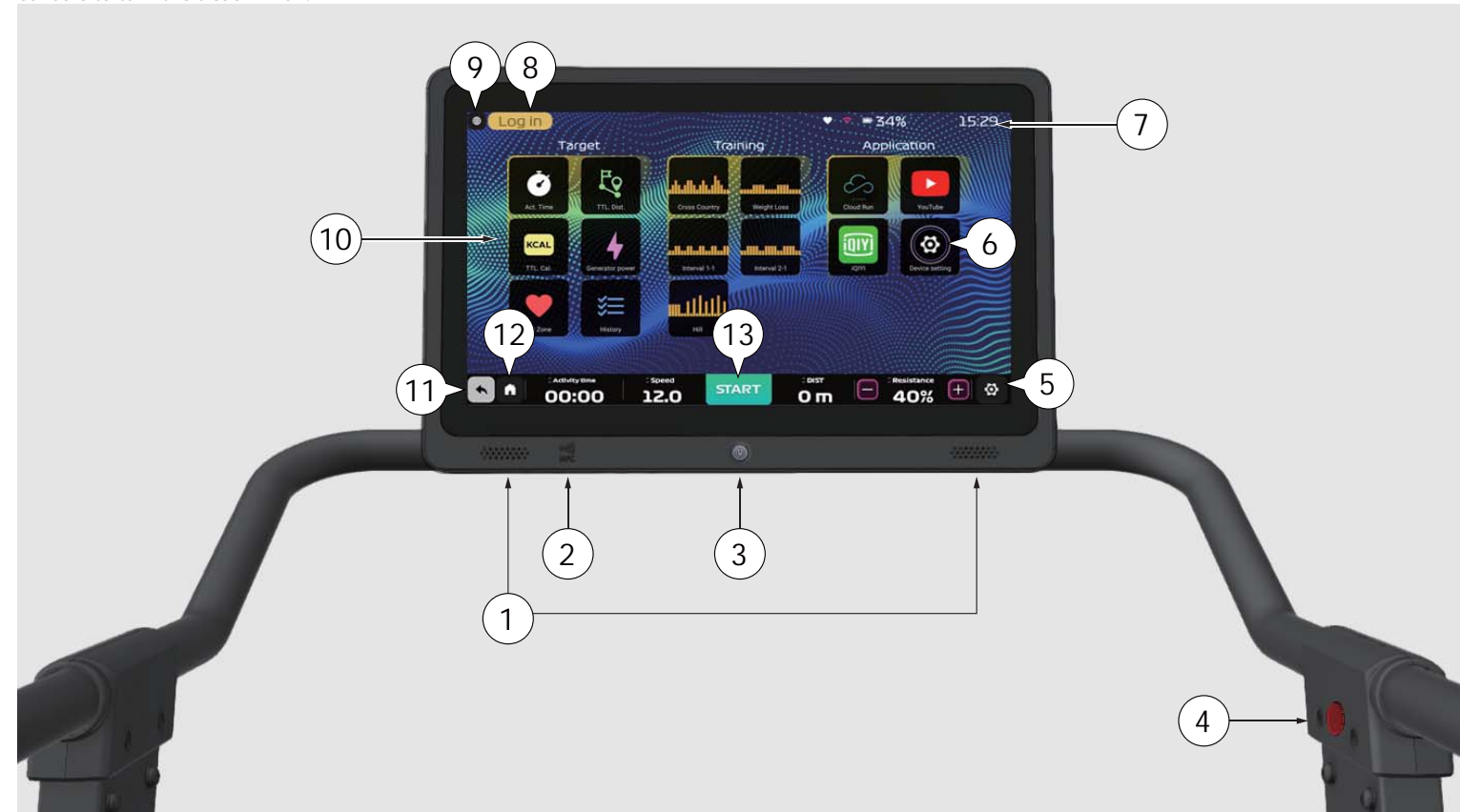


# Specification

- Model: GT1000
- Size: L 73.6" × W 35.8" × H 66.5" / 186.3 × 91.6 × 168.8 cm
- Product Weight: 348 lb / 158 kg
- Max. User's Weight: 397 lb / 180 kg
- Running Area: 18.9" × 66.1" / 48 × 168 cm
- Touch Screen (Optional):  15.6" TFT  21.5" TFT
- Power Source: Self-Generating Power
- Battery: Rechargeable Lithium battery
- Capacity: 77Wh (5.2Ah, 14.8V)
- Built-in applications: Ala Cloud Run, Youtube, iQIYI
- Sport Mode: Quick Start / Target / Simple Program / History / Cloud Run
- Heart Rate Monitor: Bluetooth® / NFC™<sup>2</sup>
- Wireless Technology: Bluetooth Low Energy FTMS Profile, Wi-Fi
- External Power Adapter: Output: DC 19V 3A, Input: AC 100V~240V 50~60Hz

# Main Screen Overview

The TFT only has one button. Most actions are done through on-screen operation. You can turn on the screen and the treadmill by brisk walking or running at the speed of 6 km/h (10-minute pace) on the belt. Please login to [GPTfit.com](http://GPTfit.com) before starting an activity. Once your exercise is completed, select uploading data and press the button on the lower of the console to turn the treadmill off.

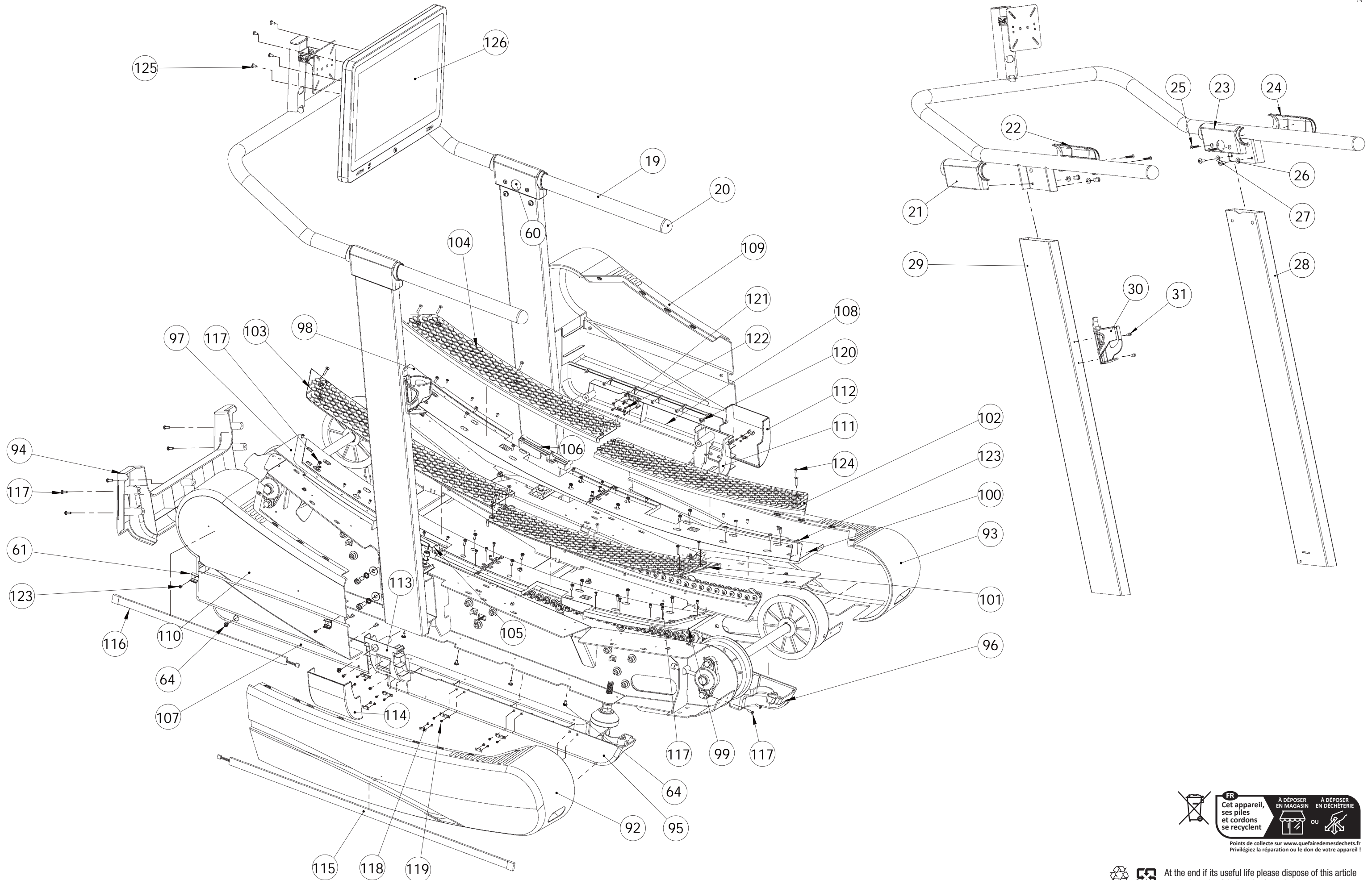


No.	Definition
1	Speakers (L/R)
2	Take bound NFC device <sup>1</sup> and <sup>2</sup> near the  NFC Detection Point to have quick login to <a href="http://GPTfit.com">GPTfit.com</a> .
3	<b>Press the Power Button</b> to turn off <sup>3</sup> .
4	<b>Press and continuously hold onto the Red Electronic Brake Button</b> to slow down or stop the belt.
5	Tap the  icon to view the console software version or access quick settings: <ul style="list-style-type: none"> <li>• Search for Wi-Fi networks.</li> <li>• Connect a Bluetooth heart rate monitor <sup>4</sup> or Bluetooth headphones.</li> <li>• Adjust speaker volume.</li> <li>• Adjust screen brightness.</li> </ul>
6	Tap the  icon to access device settings: <ul style="list-style-type: none"> <li>• Light Settings: When [Heart Rate] mode is turned off, the LED side lights on both sides of the treadmill will indicate power output for intensity zones and change colors accordingly.</li> <li>• Device Pairing: Pair or unpair an NFC heart-rate monitor.</li> </ul>
7	The status bar displays the following items from right to left: <ul style="list-style-type: none"> <li>• Current time.</li> <li>• Battery level.</li> <li>• Wi-Fi connection status.</li> <li>• Heart rate monitor connection status.</li> </ul>
8	Log in to <a href="http://GPTfit.com">GPTfit.com</a> <sup>5</sup> : Follow the on-screen instructions to log in by manually entering your account credentials, scanning a QR code with a mobile device, or using a designated NFC device <sup>1,2</sup> (hold it near the  NFC sensing area for automatic login).
9	Tap the  icon to change the language. After changing the language, the system will prompt you to log out to apply the new setting.
10	Training programs and applications: Select a training program or video platform to begin your workout.
11	Tap the  icon to return to the previous screen.
12	Tap the  icon to return to the main screen from any screen.
13	Tap to start, pause, or resume the workout. Press and hold to end the workout.

## Notes

- 1 NFC Tag (Passive).
- 2 NFC function is limited to using ATTACUS Obeat3 or Obeat1 NFC heart rate armband (Not included in the packaging).
- 3 When the treadmill is not in exercise mode and no operation is detected, it will automatically shut down and enter sleep mode after 3~5 minutes to conserve power.
- 4 Heart rate reading will only appear when the console is connected to an external heart rate device.
- 5 To save your workout data, please log in to [GPTfit.com](http://GPTfit.com) before starting an activity.

# Exploded View



FR  
Cet appareil, ses piles et cordons se recyclent  
À DÉPOSER EN MAGASIN À DÉPOSER EN DÉCHÈTERIE  
OU  
Points de collecte sur [www.quefairemesdechets.fr](http://www.quefairemesdechets.fr)  
Privilégiez la réparation ou le don de votre appareil !

At the end of its useful life please dispose of this article correctly and safely (local refuse sites).